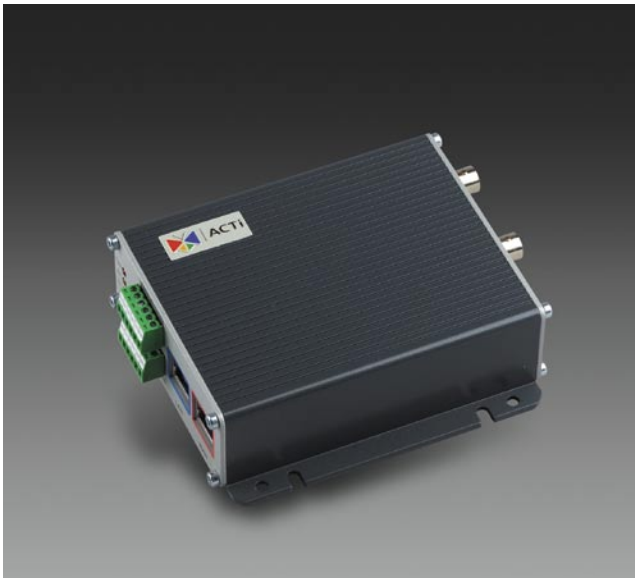


SED-2120

Wallmount Type MPEG-4 Video Server with Extended Temperature Option

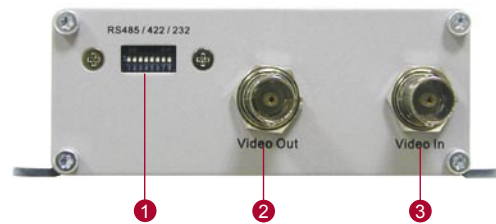


- MPEG-4 ASP compliant compression
- CIF up to Full D1 resolution at 30/25 FPS
- Dual MPEG-4 video stream output via LAN and WAN (PPPoE supported) ports at the same time
- QoS enabled (L3) video streaming
- Digital time code embedded
- Motion detection
- Isolated digital input and output supported

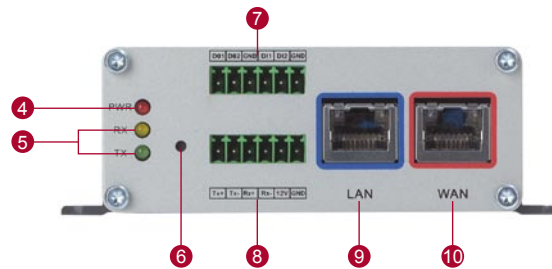
► Transmit analog image into digital data with ultra high resolution

The SED-2120 is a high resolution, Ethernet (LAN and WAN) ready digital video transmission device. It is specially designed to meet the increasing need for high quality, high reliability, real-time video streaming used in the field of surveillance and security.

The SED-2120 is based on Arm9 SoC, MPEG-4 ASP compliant compression technology to compress the video stream and transmit them via LAN and WAN. It supports automatic/manual frame rate control for concurrent video stream accessing in different bandwidth. The SED-2120 also provides RS-232 or RS-422 or RS-485 and digital I/O data transmission over Ethernet for product integrators or solution providers. With this system, users can build digital remote surveillance systems easily. SED-2120T model can support industry temperature from -30 to 70 °C (-22 to 158°F).



- 1 Serial port setting
- 2 Analog video output
- 3 Analog video input



- 4 Action LED indicator
- 5 Serial port LED indicator
- 6 Reset button
- 7 Digital input & digital output
- 8 Serial port input & DC 12 V power input
- 9 LAN port
- 10 WAN port



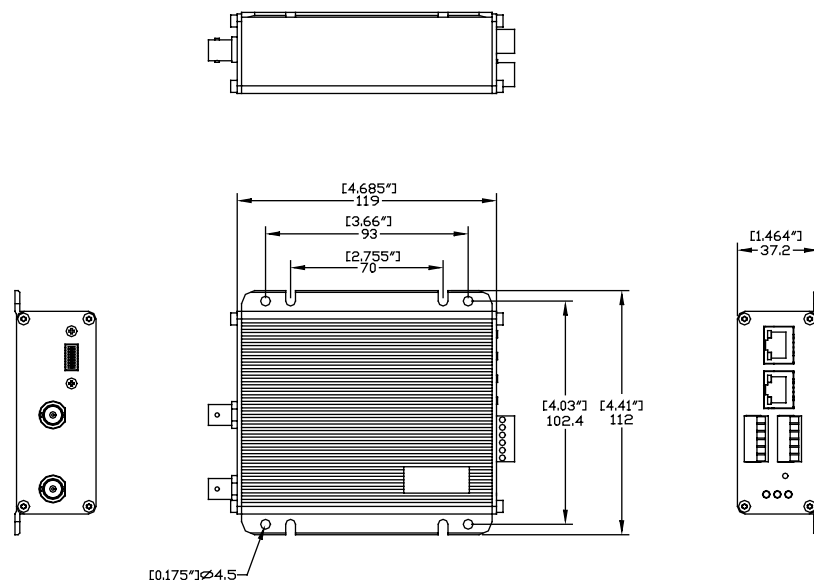
PRODUCT SPECIFICATION

Video (Compression)		Network	
Compression	MPEG-4 ASP compliant compression	LAN Port	Ethernet (10/100Base-T), RJ-45 connector
Resolution	Full D1 (720 x 480 in NTSC, 720 x 576 in PAL) CIF (352 x 240 in NTSC, 352 x 288 in PAL) QCIF (160 x 112 in NTSC, 176 x 144 in PAL)	WAN Port	Ethernet (10/100Base-T), RJ-45 connector
Bit Rate	28 K ~ 3 M bps	Protocol	TCP, UDP, IP, HTTP, DHCP, PPPoE, RTP, RTSP
Image Frame Rate	30 fps at full D1 resolution (NTSC) 25 fps at full D1 resolution (PAL)	Software	
Video Input		Web Browser	Microsoft Internet Explorer 6.0 or above
Composite Input	CVBS, 1.0Vp-p with 75 Ω loading, BNC connector	SDK	ActiveX control, C SDK
Video Output		Security	Password protection : configured by the administrator
Composite Output	CVBS, 1.0Vp-p with 75 Ω loading, BNC connector	Operating	
Alarm		Temperature	5 ~ 50 °C (40 ~ 122 °F), SED-2120 -30 ~ 70 °C (-22 ~ 158 °F), SED-2120T
Input	2, TTL, terminal block	Power	
Output	2, TTL, terminal block	Power Requirement	DC 12 V ±10%
Remote Control		Power Consumption	7.5 W
Serial Port	RS-485: half duplex, terminal block RS-422: full duplex, terminal block RS-232: full duplex, terminal block	Physical	
External I/O		Dimensions (WxHxD)	112 mm x 37.2 mm x 119 mm (4.41" x 1.46" x 4.68")
Reset Button	Factory default	Weight	350 g (0.66 lb)
LED	System status		

ORDERING INFORMATION

Model Name	Full D1	CIF	Extended Temperature
SED-2120	V		
SED-2120S		V	
SED-2120T	V		V

DIMENSION DIAGRAM



Unit: mm [inch]

* All specifications are subject to change without notice.
* All brand names and registered trademarks are the property of their respective owners.